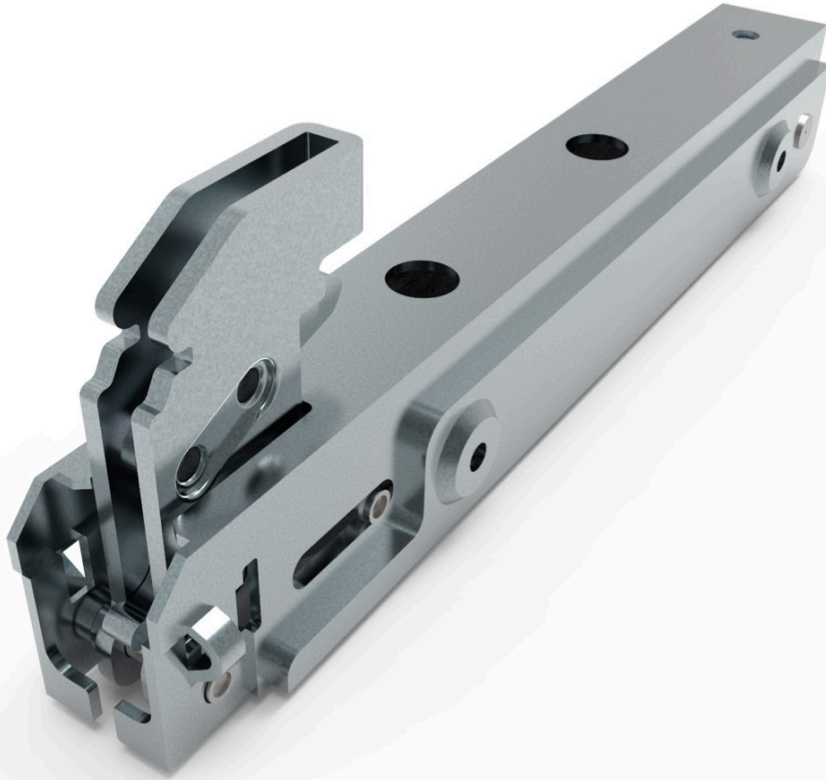


Zanovello

hinges for domestic and professional appliances



COMPACT

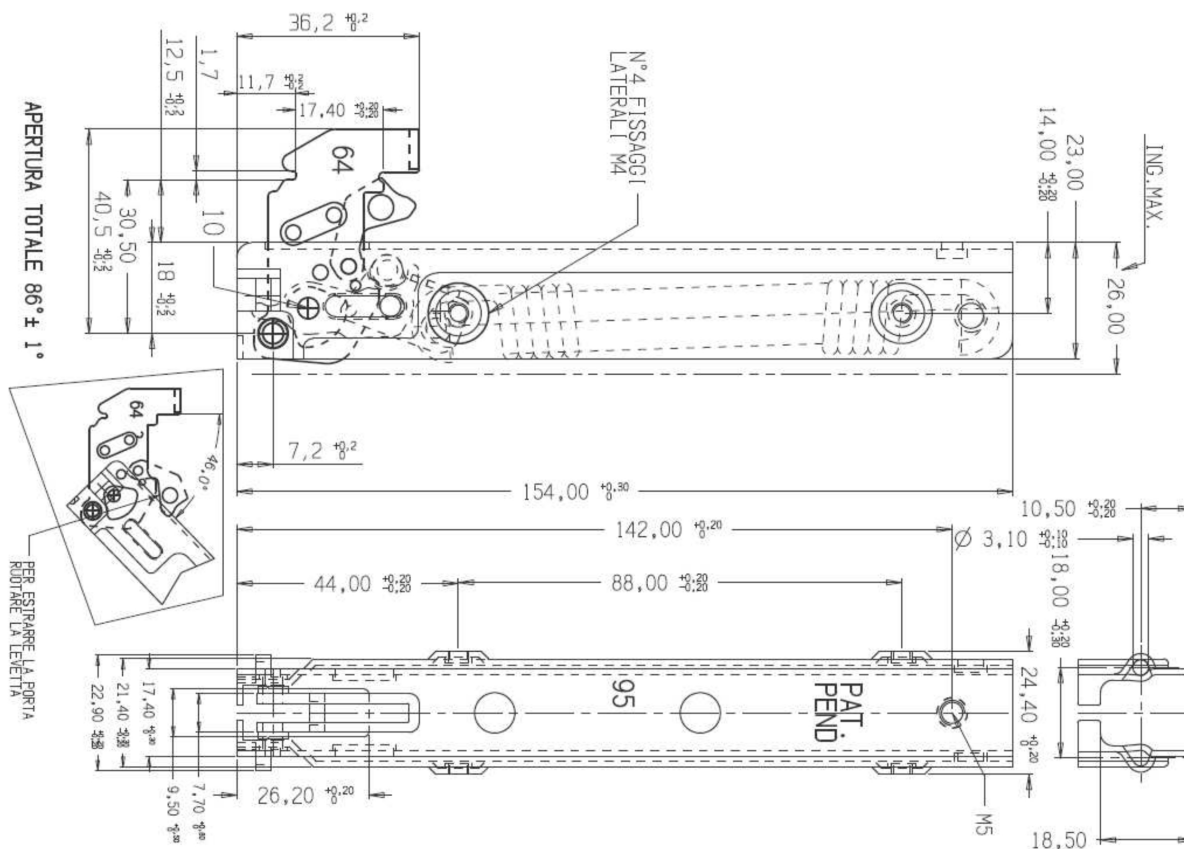
Small sizes and great performance

Small and complete. Sturdy, silent and very smooth in its movement. It combines multiple functions, to easy installation even in small spaces.

Technical Information

<u>Hot</u>	<u>✓</u>	<u>Fastening points</u>	<u>top, front, side</u>
<u>Cold</u>	<u>✓</u>	<u>Flap opening</u>	<u>85°</u>
<u>Wash</u>	<u>✗</u>	<u>Temperature range</u>	<u>< 250°</u>
<u>Static load (Kg)</u>	<u>UNI</u>	<u>Delta front door holder</u>	<u>12,5 mm</u>
<u>Opening - closing cycles</u>	<u>20.000</u>	<u>Opening mechanical stopper</u>	<u>✗</u>
<u>Door range from - to (Kg)</u>	<u>0,5 - 15</u>	<u>Position underneath the oven</u>	<u>✗</u>

Technical design



Personalizations

Non-release

Pyrolytic (450° in the muffle)

Relay

Professional

Identification code marking on the casing

Identification code marking on the arm